

GOLD 10000

DIMENSIONS

12" / 15"

18" / 21"

POWER

5000WRMS

10000W
PEAK



COIL

4"/100 MM

D0,7/D1/D2
IMPEDANCE

WEIGHT

30/32 KG



12"



15"



18"



21"

- The subwoofers from the Gold series are designed and developed for audio competitions and 'wall' installations with high sound pressure levels. The carbon-kevlar sandwich cone can easily withstand pressures exceeding 175 dB;
- The magnetic assembly, equipped with a double 255 mm ferrite ring and 'UFO'-shaped pole plates, not only provides excellent thermal dissipation for the coil but also improves electromagnetic efficiency and airflow inside the enclosure. This innovative design, combined with the highly efficient magnetic core, allows for a contained weight of only 28 kg;
- The new coil is 106mm, 8-layer, with high-temperature flat aluminum winding, capable of quickly dissipating heat. The anodized aluminum former is able to withstand the great forces generated by the coil;
- The high-quality carbon dust cap and cone are handcrafted to increase rigidity during high sound pressures and enhance the coil's heat dissipation;
- The 'U'-shaped foam surround and spider spacers ensure linearity during large excursions;
- New pneumatic rubber surround for a perfect seal inside the enclosure, preventing air leaks and whistling;
- Adhesives applied with cyanoacrylate glue and the spider assembly screwed to the basket for exceptional mechanical integrity;
- High-quality red Nomex spider to maintain performance over time;
- Spring terminals capable of accommodating a cable up to 16 mmq to effectively transmit all the power from the amplifier to the coil.

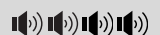


CUSTOMIZABLE COMPONENTS AND SPARE PARTS: 1. RECONE KIT - 2. BASKET - 3. COIL - 4. CONE AND DUSTCUP - 5. SPIDER PACK/SPIDER KIT - 6. SUSPENSION

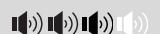
SOUND QUALITY



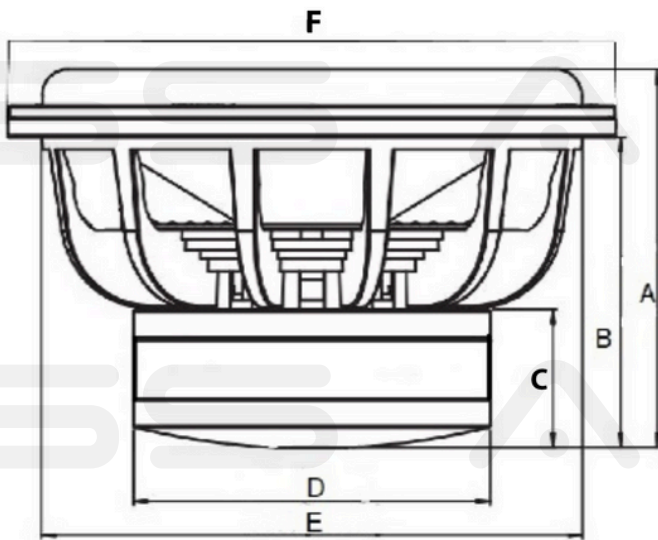
EFFICIENCY



MAXIMUM SPL



MODEL	THIELE&SMALL PARAMETERS														DIMENSIONS (MM)					
	Qts	Vas (L)	Fs (Hz)	Re (Ω)	Mms (g)	Xmax (mm)	Qms	Qes	SPL 2.83Vrms	BxL (Tm)	Sd (mm)	RMS	Peak	A	B	C	D	E	F	
Gold 12" D1 ohm	0.35	28.2	35.7	2.2	297.6	55	3.84	0.39	87.1	19.6	574.1	5000	10kw	270	232	110	250	280	320	
Gold 12" D2 ohm	0.34	34.3	35.8	4.1	244.4	55	4.0	0.38	90.9	24.4	574.1	5000	10kw	270	232	110	250	280	320	
Gold 15" D1 ohm	0.43	72.1	36.3	2.2	280.6	55	4.42	0.48	96.1	17.3	908.5	5000	10kw	295	260	110	250	350	390	
Gold 15" D2 ohm	0.41	70.4	35.7	4.0	297.6	55	4.49	0.46	93.3	24.4	908.5	5000	10kw	295	260	110	250	350	390	
Gold 18" D1 ohm	0.53	154	35.7	2.2	272.3	55	4.64	0.60	98.3	15.0	1279.5	5000	10kw	330	290	110	250	420	460	
Gold 18" D2 ohm	0.45	154.1	35.7	4.1	273.0	55	3.52	0.52	96.3	22.0	1279.5	5000	10kw	330	290	110	250	420	460	
Gold 21" D1 ohm	UNDER DEVELOPMENT																			
Gold 21" D2 ohm																				



90L - SUGGESTED BOX 12" - Tuning Freq. 37Hz		
A	40 (cm)	BOX PANEL DIMENSIONS (cm) *
B	80 (cm)	37x80 (2 pieces)
C	37 (cm)	36x80 (2 pieces)
D	28.5 (cm)	33x36 (2 pieces)
F	33 (cm)	PORT AREA (198cm2)
G	30 (cm)	PORTS PANEL DIMENSIONS (cm) *
H	10 (cm)	30x33 (1 piece)
L	6 (cm)	10x33 (1 piece)

130L - SUGGESTED BOX 15" - Tuning Freq. 35Hz		
A	42 (cm)	BOX PANEL DIMENSIONS (cm) *
B	94 (cm)	42x94 (2 pieces)
C	42 (cm)	38x94 (2 pieces)
D	35.4 (cm)	38x38 (2 pieces)
F	38 (cm)	PORT AREA (300cm2)
G	30 (cm)	PORTS PANEL DIMENSIONS (cm) *
H	15 (cm)	30x38 (1 piece)
L	8 (cm)	15x38 (1 piece)

160L - SUGGESTED BOX 18" - Tuning Freq. 32Hz		
A	44 (cm)	BOX PANEL DIMENSIONS (cm) *
B	95 (cm)	48x95 (2 pieces)
C	48 (cm)	40x95 (2 pieces)
D	42,5 (cm)	44x40 (2 pieces)
F	44 (cm)	PORT AREA (400cm2)
G	31 (cm)	PORTS PANEL DIMENSIONS (cm) *
H	39 (cm)	31x44 (1 piece)
L	9 (cm)	39x44 (1 piece)

220L - SUGGESTED BOX 21" - Tuning Freq. 29Hz		
A	45 (cm)	BOX PANEL DIMENSIONS (cm) *
B	107 (cm)	56x107 (2 pieces)
C	56 (cm)	41x107 (2 pieces)
D	49 (cm)	52x41 (2 pieces)
F	52 (cm)	PORT AREA (570cm2)
G	30 (cm)	PORTS PANEL DIMENSIONS (cm) *
H	60 (cm)	30x52 (1 piece)
L	11 (cm)	60x52 (1 piece)

*Dimensions calculated considering wood panels with a thickness of 20 mm.

