

IRON

DIMENSIONS

12" / 15"
300 / 380
mm

POWER

1000WRMS
12"
1250WRMS
15"



COIL

3.2"/82mm
IMPEDANCE
D1/D2

WEIGHT

9 kg - 12"
11 kg - 15"



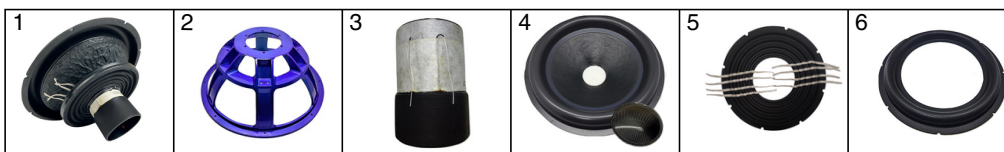
12"



15"



- The IRON series subwoofers are the most suitable products for "first systems" or entry-level setups where space needs to be kept minimal in everyday use vehicles. They are also recommended for systems with 'turbo' boxes to play with the trunk open, covering frequencies from 45 to 80 Hz;
- The IRON 12 features a double 175x20mm ferrite magnet weighing approximately 9 kg, while the IRON 15 has an even larger 185x20 mm magnet. The powerful, ventilated, and cooled magnetic assembly ensures high performance and sound precision even at lower power levels;
- The heart of these subwoofers is the 3.2" voice coil, with 100% pure copper winding and a height of 42 mm, chosen to ensure greater musicality and precision;
- The glue joints are made with a two-component adhesive and the spider assembly is screwed to the basket for exceptional mechanical stability. The elastic rubber surround ensures a perfect pneumatic seal inside the box, preventing whistles and pressure leaks;
- For connections, we opted for 6 mmq nickel-plated brass spring terminals, capable of handling power close to one kilowatt RMS;
- Finally, the high-quality carbon dust cap improves the rigidity of the cone and aids in cooling the voice coil. The IRON 12 has a flat dust cap, while the IRON 15 features a round one.



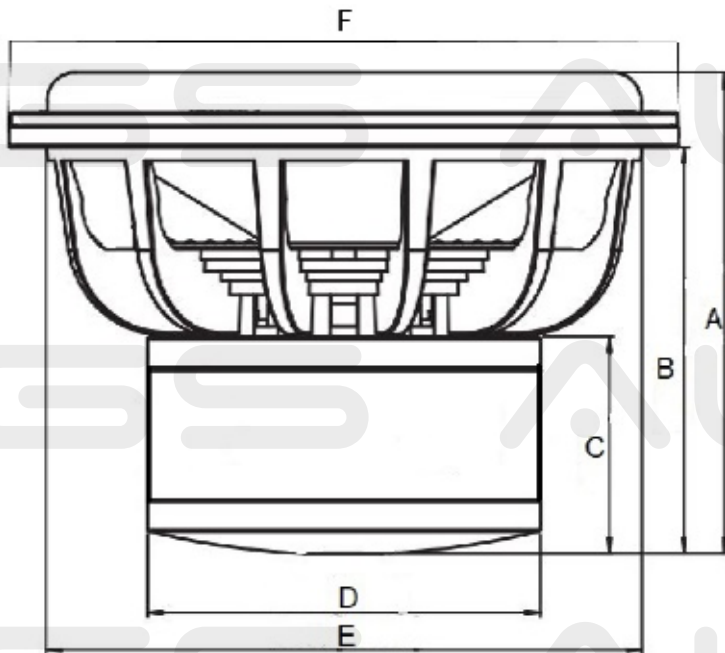
CUSTOMIZABLE COMPONENTS AND SPARE PARTS: 1. RECONE KIT - 2. BASKET - 3. COIL - 4. CONE AND DUSTCUP - 5. SPIDER PACK/SPIDER KIT - 6. SUSPENSION

SOUND QUALITY

EFFICIENCY

MAXIMUM SPL

MODEL	THIELE&SMALL PARAMETERS													DIMENSIONS (MM)					
	Qts	Vas (L)	Fs (Hz)	Re (Ω)	Mms (g)	Xmax (mm)	Qms	Qes	SPL 2.83Vrms	BxL (Tm)	Sd (mm)	RMS	Peak	A	B	C	D	E	F
Iron 12" D1 ohm	0.82	26.64	44.41	1.96	190	36	6.12	0.96	92	10.54	557	1000	2000	195	160	70	175	285	320
Iron 12" D2 ohm	0.65	30.14	37.68	3.84	237	36	6.44	0.72	87.4	17.26	557	1000	2000	195	160	70	175	285	320
Iron 15" D1 ohm	0.91	72.17	40.38	2.23	208	36	6.09	1.07	93.92	10.51	870	1250	2500	210	175	65	185	355	400
Iron 15" D2 ohm	0.75	67.12	37.68	3.88	256	36	6.83	0.84	91.33	16.76	870	1250	2500	210	175	65	185	355	400



68L - SUGGESTED BOX 12" - Tuning freq. 35Hz

	Value	Category
A	35 (cm)	DIMENSIONS SHEET BOX (cm)*
B	75 (cm)	
C	35 (cm)	
D	28.4 (cm)	
F	33 (cm)	DIMENSIONS SHEET PORT (cm)*
G	28 (cm)	
H	15 (cm)	
L	5 (cm)	

2 subwoofer 12" 112L - SUGGESTED BOX Tuning freq. 37Hz

	Value	Category
A	40 (cm)	DIMENSIONS SHEET BOX (cm)*
B	95 (cm)	
C	38 (cm)	
D	28.4 (cm)	
F	34 (cm)	DIMENSIONS SHEET PORT (cm)*
G	28 (cm)	
H	12 (cm)	
L	8 (cm)	

85L - SUGGESTED BOX 15" - Tuning freq. 32Hz

	Value	Category
A	37 (cm)	DIMENSIONS SHEET BOX (cm)*
B	80 (cm)	
C	40 (cm)	
D	28.4 (cm)	
F	33 (cm)	DIMENSIONS SHEET PORT (cm)*
G	28 (cm)	
H	15 (cm)	
L	5 (cm)	

*Dimensions calculated considering 20 mm thick wooden panels

