



## GS VOCE 6N39

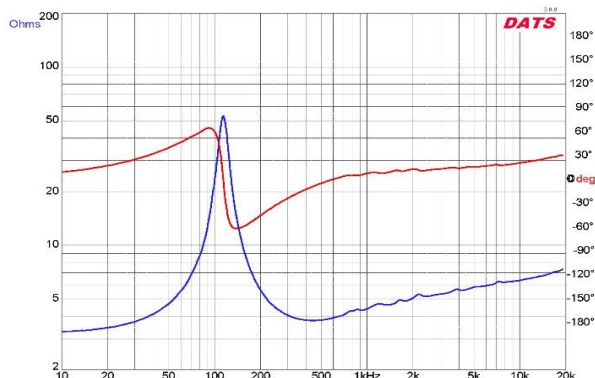
4 Ohm

### General Specifications

Nominal Diameter	160 mm
Nominal Impedance	4 Ohm
Minimum Impedance	3,19 Ohm
RMS Power	380 WRMS
Max Power	760 W
Frequency Range	80 ÷ 18000 Hz
Efficiency (Eta 0)	2,54%
Sensibility (1w - 1 mt)	98,1 dB
Sensibility (2.83 V)	101,14 dB
Voice coil Diameter	39 mm
Voice Coil Wire	CCAW

### Thiele&Small Parameters

Re (ohm)	3,19
Fs (Hz)	114,4
Le (mH)	0,09
Vas (L)	10,19
Cms (mm/N)	0,32
BxL (T*m)	4,88
Qts	0,54
Qms	8,95
Qes	0,57
Xmax (mm - one way)	3,1
Mms (g)	5,97

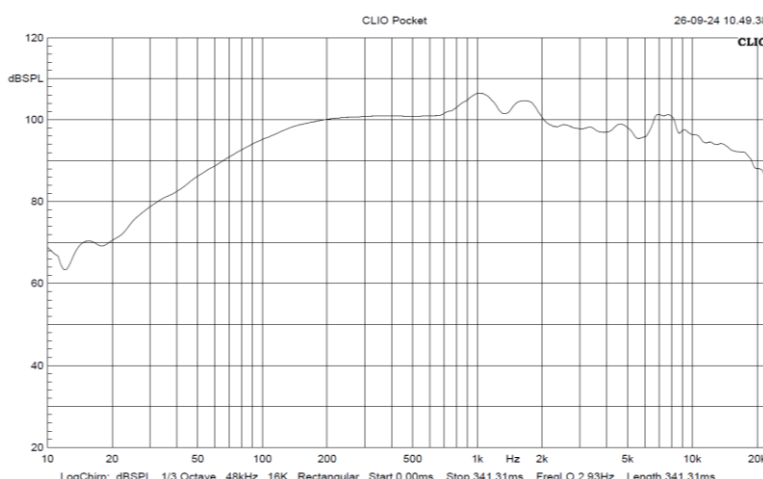


### Technical Parameter

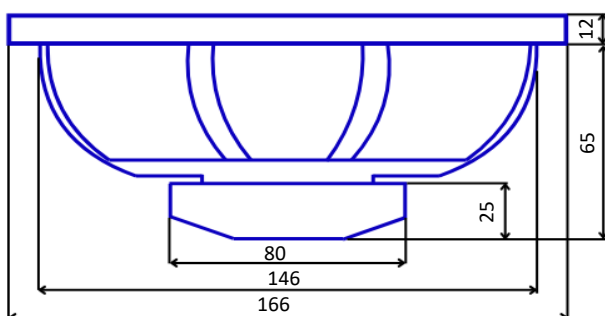
Voice coil winding height	10 mm
Voice coil former	composite fiber
Magnet material	neodymium
Magnet dimension	80*5 mm
Gap Height	6 mm
Demulation ring	yes
Crossover advice HPF	100 Hz - 18 dB
Crossover advice LPF	10 kHz - 12 dB
Minimum power advice	200 WRMS
Terminal connection	Push terminal
Surround Material	Cloth
Surround type	Dual wave
Cone material	Pressed paper

### Speaker / Package dimension

Outer diameter	166 mm
Installation diameter	146 mm
Mounting depth	66 mm
Magnet diameter	80 mm
Type basket	Alluminium
Volume speaker	1,1 L
Speaker Weight	1 kg
Package Weight	1,4 kg
Shipping box	19*19*10 cm



### Drawing dimension / installation



Gs Audio Srl - [www.gsaudio.it](http://www.gsaudio.it)

Via Matteotti 220/A - San Possidonio MO - Italy  
Whatsapp +39 3473263458 - e-mail: [info@gsaudio.it](mailto:info@gsaudio.it)