



## GS VOCE 10N76

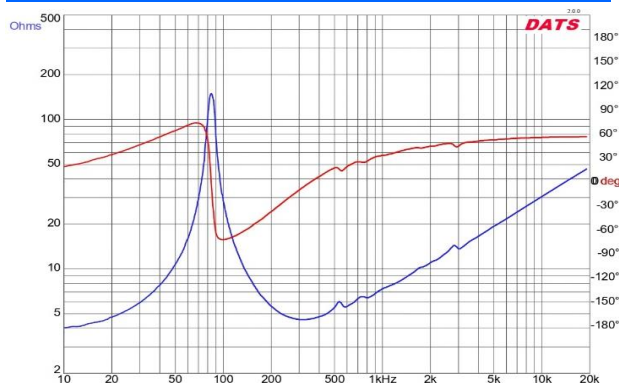
4 Ohm

### General Specifications

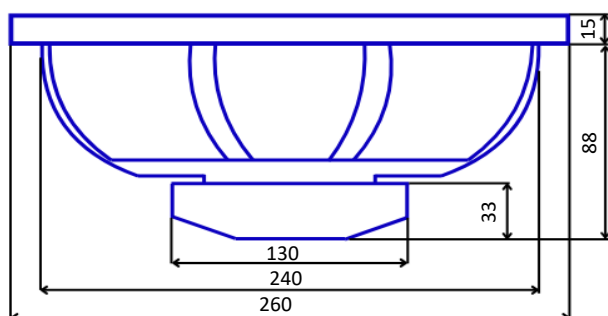
Nominal Diameter	250 mm
Nominal Impedance	4 Ohm
Minimum Impedance	3,69 Ohm
RMS Power	700 WRMS
Max Power	1400 W
Frequency Range	70 ÷ 5000 Hz
Efficiency (Eta 0)	2,71%
Sensibility (1w - 1 mt)	96,44 dB
Sensibility (2.83 V)	100,4 dB
Voice coil Diameter	76 mm
Voice Coil Wire	CCAW

### Thiele&Small Parameter

Re (ohm)	3,69
Fs (Hz)	84,11
Le (mH)	0,49
Vas (L)	17,44
Cms (mm/N)	0,08
BxL (T*m)	15,07
Qts	0,35
Qms	14,3
Qes	0,36
Xmax (mm - one way)	4,5
Mms (g)	42,4



### Drawing dimension / installation

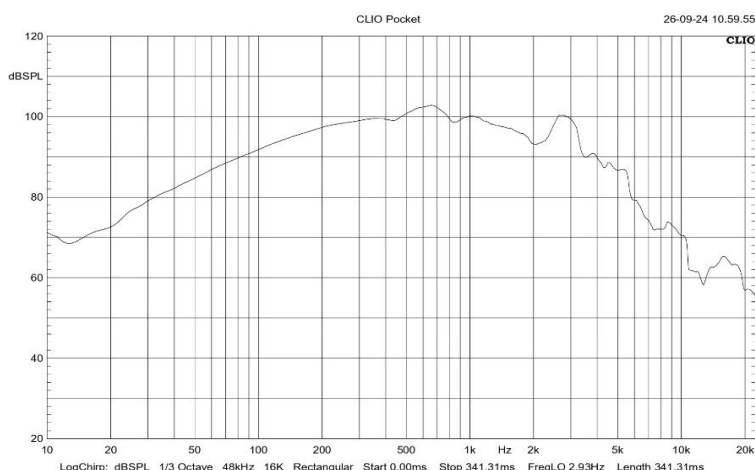


### Technical Parameter

Voice coil winding height	13 mm
Voice coil former	composite fiber
Magnet material	neodymium
Magnet dimension	130*5 mm
Gap Height	8 mm
Demulation ring	no
Crossover advice HPF	70 Hz - 18 dB
Crossover advice LPF	3 kHz - 12 dB
Minimum power advice	200 WRMS
Terminal connection	Push terminal
Surround Material	Cloth
Surround type	Dual wave
Cone material	Pressed paper

### Speaker / Package dimension

Outer diameter	260 mm
Installation diameter	240 mm
Mounting depth	88 mm
Magnet diameter	130 mm
Type basket	Aluminium
Volume speaker	2,5 L
Speaker Weight	3,2 kg
Package Weight	3,5 kg
Shipping box	28,5*28,5*13 cm



Gs Audio Srl - [www.gsaudio.it](http://www.gsaudio.it)

Via Matteotti 220/A - San Possidonio MO - Italy  
Whatsapp +39 3473263458 - e-mail: [info@gsaudio.it](mailto:info@gsaudio.it)